

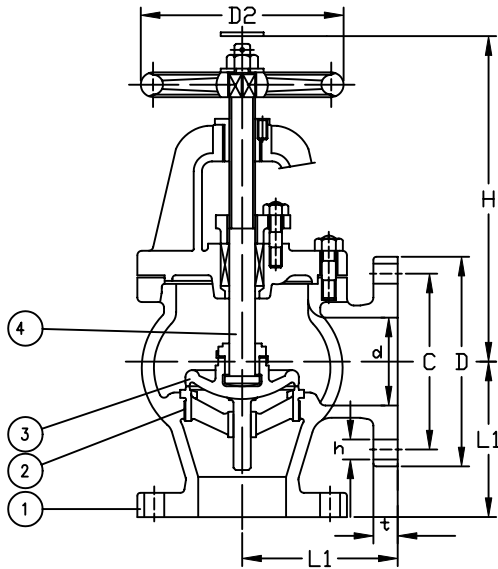
SERIES F7308 - JIS 10K
Cast Iron Angle Valve



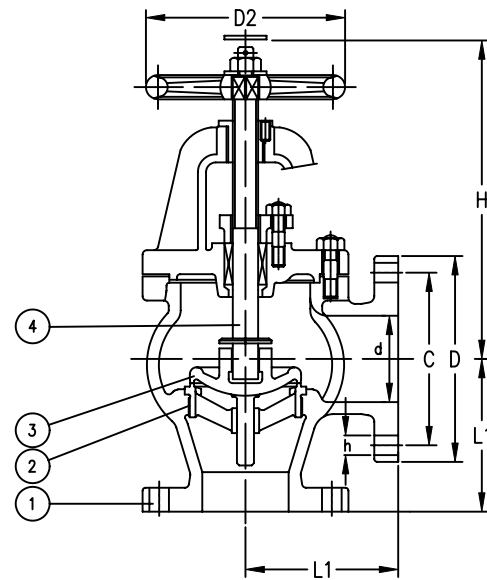
SERIES F7376 - JIS 10K
Cast Iron Angle Valve
(SDNR)

Manufactured in accordance to JIS F7400

Flanges as per JIS B2220 -10K



Series F7308



Series F7376- SDNR

Part Nr.	Material	Code
1 - Body	Cast Iron	FC20
2 - Seat	Stainless Steel	SCS2
3 - Disc	Stainless Steel	SCS2
4 - Stem	Stainless Steel	SUS403

Nominal Diameter	Test Pressure MPa (kgf/cm ²)	
	Body	Seat
200 or less	2.06 [21]	1.51 [15.4]
250 or more	1.47 [15]	1.08 [11]

Size	L1	D	C	No.	h	t	H	D2	Kg
050	120	155	120	4	19	20	255/255	160	18.2
065	130	175	140	4	19	22	270/260	200	25.4
080	140	185	150	8	19	22	275/270	200	27.4
100	160	210	175	8	19	24	315/305	250	40.6
125	180	250	210	8	23	24	360/350	280	69.9
150	205	280	240	8	23	26	405/390	315	81
200	230	330	290	12	23	26	475/450	355	125
250	290	400	355	12	25	30	570	450	211
300	320	445	400	16	25	32	645	500	293
350	360	490	445	16	25	34	710	560	386
400	420	560	510	16	27	36	790	630	544