

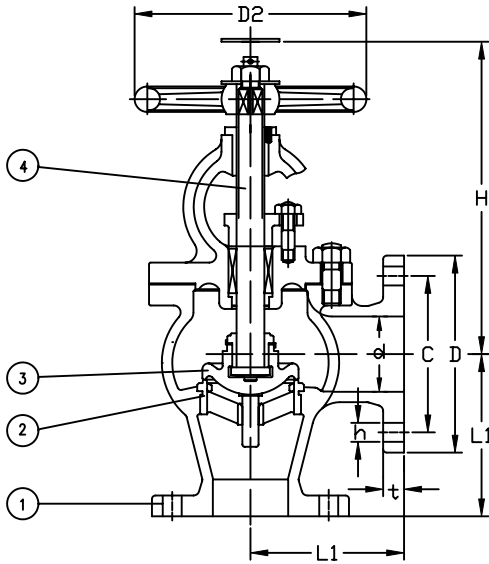
SERIES F7314 - JIS 20K
Cast Steel Angle Valve



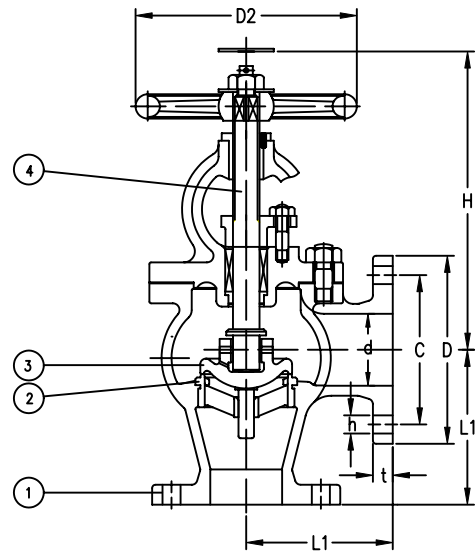
SERIES F7474 - JIS 20K
Cast Steel Angle Valve
(SDNR)

Manufactured in accordance to JIS F7400

Flanges as per JIS B2220 - 20K



Series F7314



Series F7474 - SDNR

Part Nr.	Material	Code
1 - Body	Cast Steel	SC49
2 - Seat	Stainless Steel	SCS2
3 - Disc	Stainless Steel	SCS2
4 - Stem	Stainless Steel	SUS403

	Test pressure MPa [kgf/cm ²]
Body	5.00 [51.0]
Seat	3.67 [37.4]

Size	L	D	C	No.	h	t	H	D2	Kg
032	100	135	100	4	19	18	250	160	13
040	110	140	105	4	19	18	265	160	15.2
050	125	155	120	8	19	18	275	200	20
065	135	175	140	8	19	20	305	224	26.9
080	150	200	160	8	23	22	340	250	38.9
100	170	225	185	8	23	24	385	280	54.4
125	200	270	225	8	25	26	440	315	79.9
150	225	305	260	12	25	28	485	355	111
200	280	350	305	12	25	30	540	450	181
250	310	430	380	12	27	34	620	560	283