

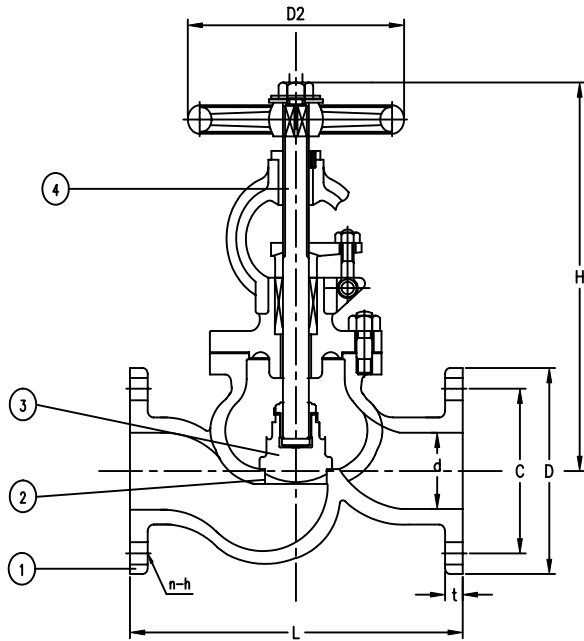
SERIES F7317 - JIS 40K
Cast Steel Globe Valve



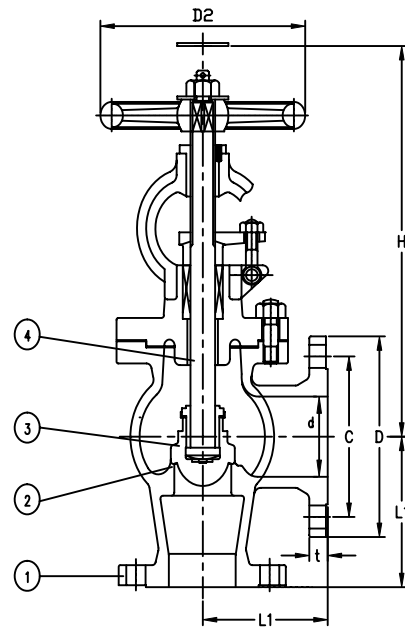
SERIES F7318 - JIS 40K
Cast Steel Angle Valve

Manufactured in accordance to JIS F7400

Flanges as per JIS B2220 - 40K



Series F7317



Series F7318

Part Nr.	Material	Code
1 - Body	Cast Steel	SC49
2 - Stem	Stainless Steel	SUS403
3 - Disc	Stainless Steel	SCS2
4 - Seat	Stainless Steel	SCS2

	Test pressure MPa [kgf/cm ²]
Body	9.12 [93.0]
Seat	6.69 [68.2]

Size	JIS F7317			JIS F7318			D	C	No.	h	t	D2
	L	H	KG	L1	H	Kg						
032	229	370	25.4	114	350	24.9	140	105	4	19	24	200
040	241	395	30.2	121	370	29.4	160	120	4	23	24	200
050	292	435	41.0	146	405	40.0	165	130	8	19	26	224
065	330	490	62.3	165	455	60.3	200	160	8	23	30	250
080	356	540	79.0	178	500	76.2	210	170	8	23	32	315
100	432	640	140	216	590	135	250	205	8	25	36	400
125	508	720	197	254	660	189	300	250	8	27	40	450
150	559	815	298	279	740	284	355	295	12	33	44	500