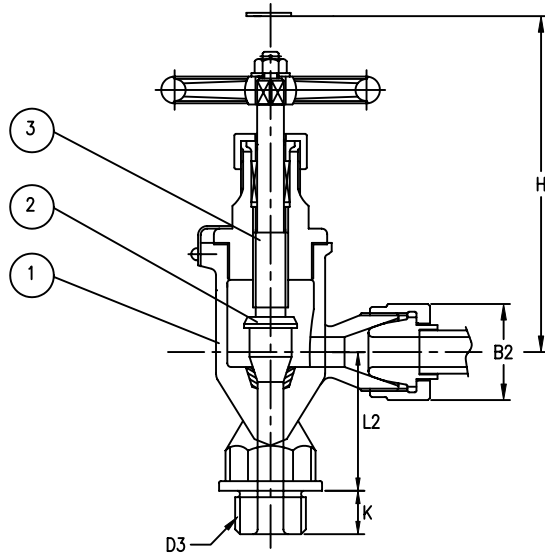




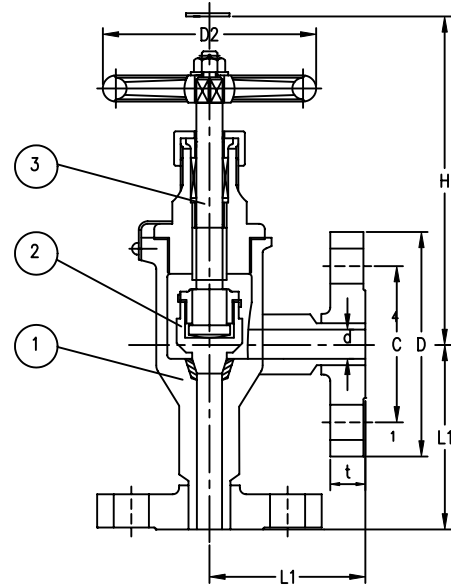
SERIES F7422 - JIS 20K  
Forged Steel Angle Valve  
Type "S" and "F"

Manufactured in accordance to JIS F7400

Flanges as per JIS B2220 - 20K



"S" Type



"F" Type

Part Nr.	Material	Code
1 - Body	Forged Steel	SF45
2 - Stem	Stainless Steel	SUS403
3 - Disc	Stainless Steel	SUS402J1

	Test Pressure MPa [kg/cm <sup>2</sup> ]
Body	5.0 [51.0]
Seat	3.76 [37.4]

Type	Type of Connection	Nominal Dia.
S	Screw thread type	6 and 10
F	Flange type	15 to 25

	Size	L	L1	L2	L3	K	D	C	n	h	t	H	B2	D3	Kg
Type	6	-	42	38	51	12	-	-	-	-	-	115	30	M20x1.5	1.20
"S"	10	-	46	45	58	16	-	-	-	-	-	125	41	M24x2	1.54
Type	15	75	-	-	-	-	95	70	4	15	14	160	-	-	3.8
"F"	20	80	-	-	-	-	100	75	4	15	16	180	-	-	5.05
	25	95	-	-	-	-	125	90	4	19	16	190	-	-	7.16